

CLICK HERE
TO CHANGE
LOGO

Standoff

by Joseph Beltran

Scoring: COMSTOCK, Best 2 hits on cardboard.

Targets: 12 USPSA targets, 3 steel

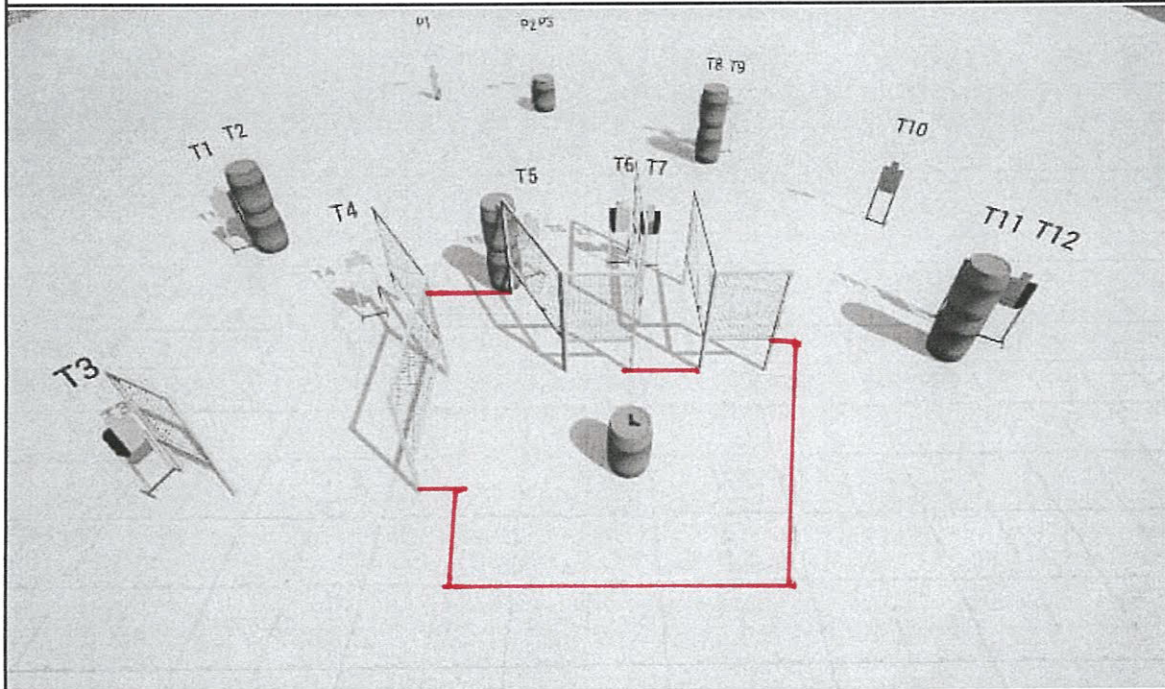
Rounds: 27

Start Position:

The start position is standing in the shooting area, facing down range with wrists below belt. Firearm is unloaded and unpropped on barrel.

Procedure:

On the audible start signal, engage all targets from within the shooting area.



Generated using Practisim Designer

Fun House

RULES: Practical Shooting Handbook, Latest Edition **COURSE DESIGNER:** Joe Moran

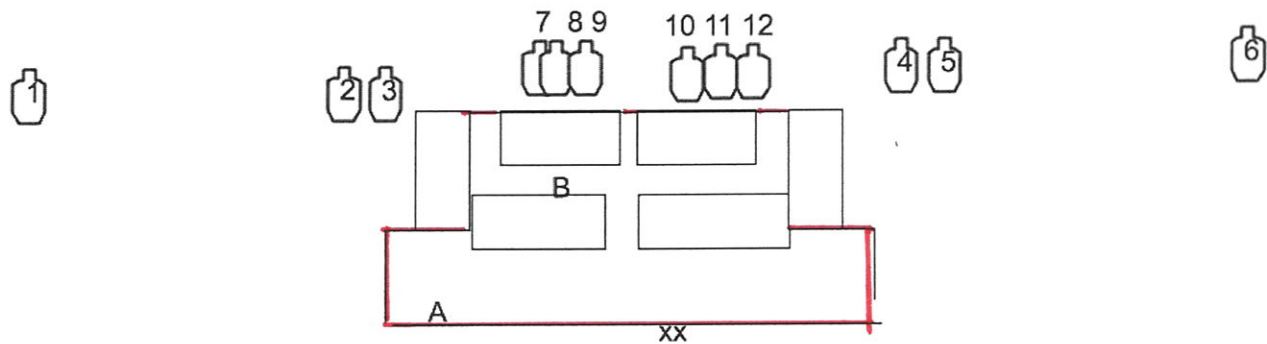
START POSITION: Feet on XX, handgun is loaded and holstered per 8.1.1, 8.1.2 PCC held with stock touching belt

STAGE PROCEDURE

On signal engage targets as they become visible from within fault lines.

SCORING

SCORING: Comstock, 24 rounds , 120 points
TARGETS: 12 IPSC, ,
SCORED HITS: Best 2 per IPSC, steel down = 1A
START-STOP: Audible - Last shot
PENALTIES: Procedural. -10
No-shoot hit. -10
Miss. -10



Set up notes:

RO Notes:

See em Shoot em

RULES: Practical Shooting Handbook, Latest Edition **COURSE DESIGNER:** Joe Moran

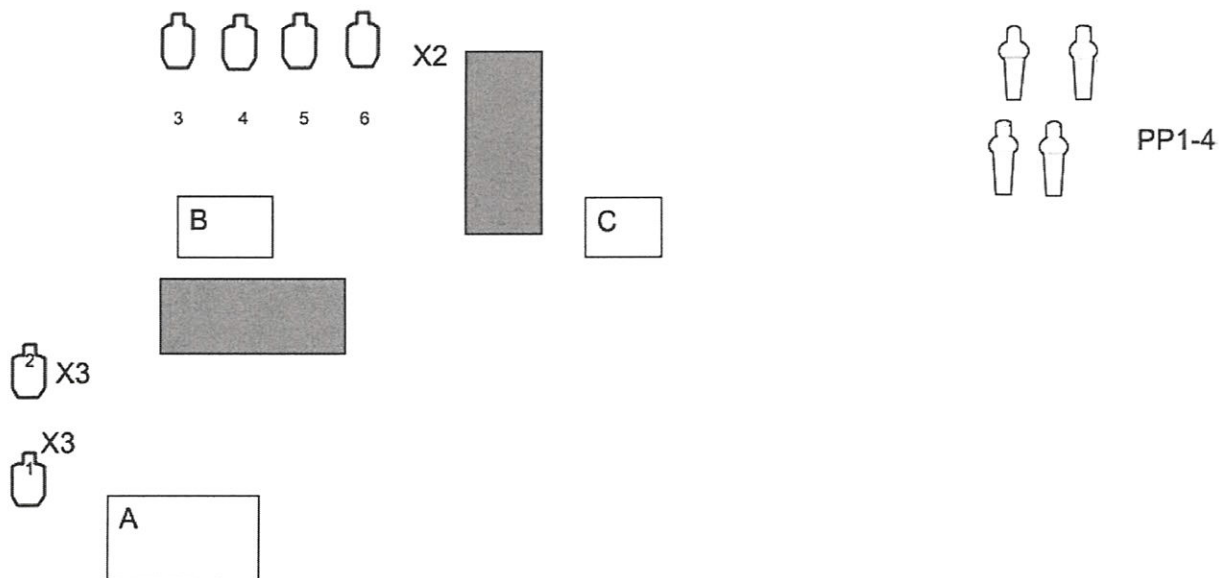
START POSITION: Feet on fault lines, handgun is loaded and holstered per 8.1.1, 8.1.2 PCC held with stock touching belt

STAGE PROCEDURE

On signal engage targets as they become visible from within any set of fault lines. T1-T2 three rounds each, T3-T6 2 rounds each.

SCORING

SCORING: Comstock, 18 rounds , 90 points
TARGETS: 6 IPSC, 4 PP,
SCORED HITS: Best 3 (T1-2) Best 2 per (T3-6) IPSC, steel down = 1A
START-STOP: Audible - Last shot
PENALTIES: Procedural. -10
 No-shoot hit. -10
 Miss. -10



Set up notes:

Walls are set so T3-T6 can only be seen from area B

RO Notes:

Clangs and Swings

RULES: Practical Shooting Handbook, Latest Edition **COURSE DESIGNER:** Joe Moran

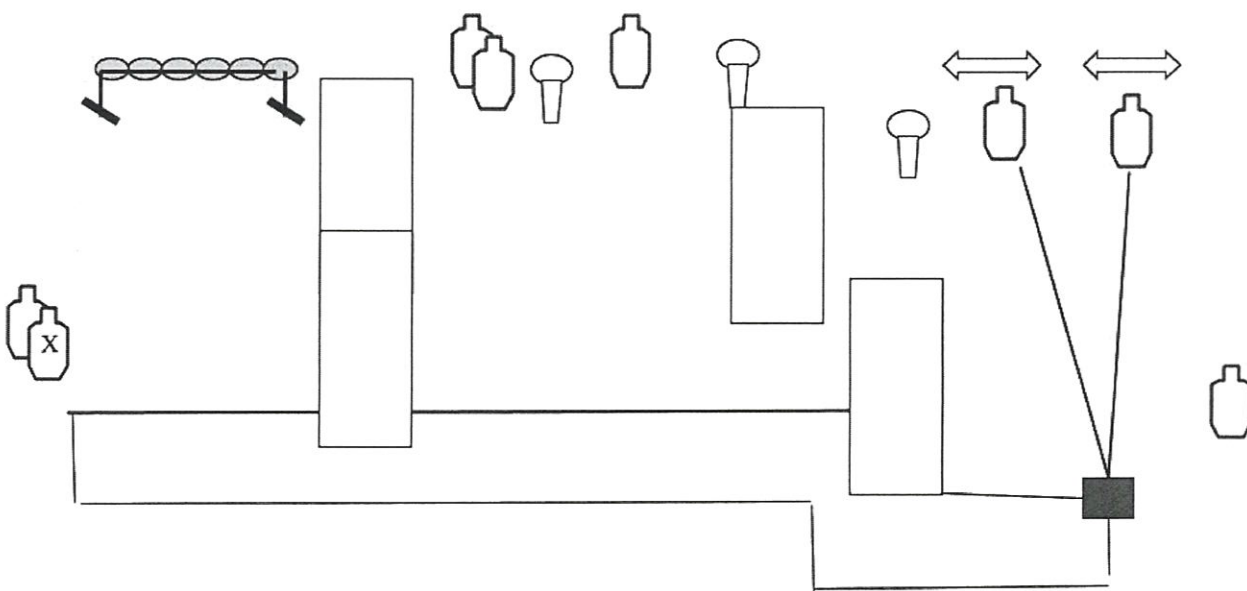
START POSITION: Feet inside fault lines, handgun is loader and holstered per 8.1.1, 8.1.2 PCC held with stock touching belt

STAGE PROCEDURE

On signal engage targets as they become visible from within fault lines.

SCORING

SCORING: Comstock, 23 rounds , 65 points
TARGETS: 7 IPSC, 3 PP, 6Plates
SCORED HITS: Best 2 per IPSC, steel down = 1A
START-STOP: Audible - Last shot
PENALTIES: Procedural. -10
 No-shoot hit. -10
 Miss. -10



Set up notes:

RO Notes:



24-04

The Thrill of the Bill Drill

Scoring: Virginia Count - Best 6 hits per target for score

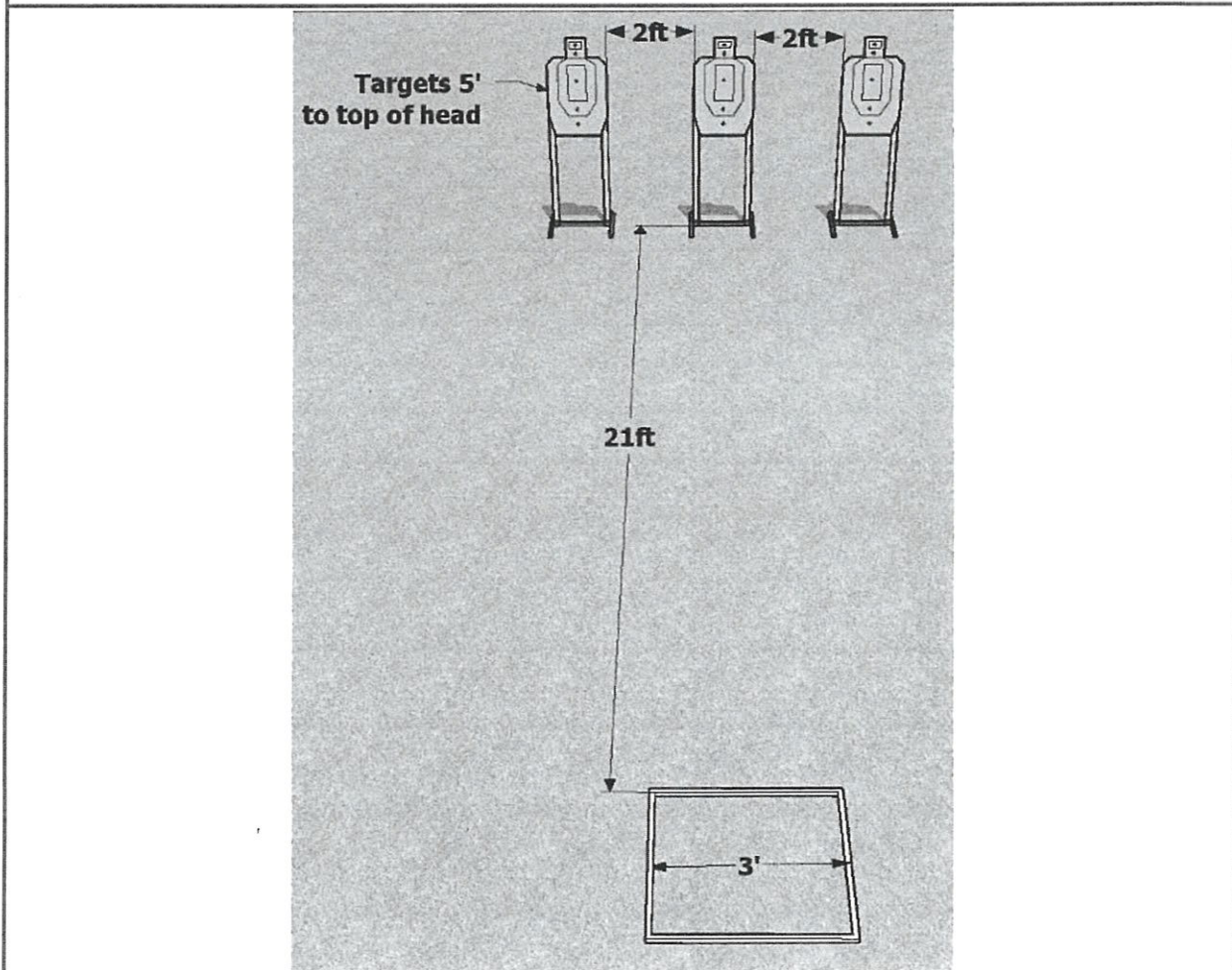
Targets: 3 USPSA cardboard targets

Rounds: 18

Condition: Loaded and holstered

Start Position: Inside shooting area.

Handgun loaded and holstered, wrists above respective shoulders.
PCC loaded, safety applied, stock touching belt, strong side wrist above shoulder, weak hand holding PCC.





Written Stage Briefing

The Thrill of the Bill Drill is an 18 round, Virginia Count Standard Exercise. There are 3 USPSA targets. The best 6 hits per target will score.

Start Position: Inside shooting area. Handgun loaded and holstered, wrists above respective shoulders. PCC loaded, safety applied, stock touching belt, strong side wrist above shoulder, weak hand holding PCC.

Upon audible start signal from within the shooting area:

String 1: Engage T1 with only 6 rounds.

String 2: Engage T2 with only 3 rounds, then perform a mandatory reload and re-engage T2 with only 3 rounds.

String 3: Engage T3 with only 3 rounds, then perform a mandatory reload and re-engage T3 with only 3 rounds Strong Hand/Shoulder Only.

Build Notes:

- Target Height is 5' to top of the head
- Box Measurement is 3' x 3'